

# Fixed Window



## Structural Performance

Built for mid-rise residential buildings, our ratings far surpass the required standards, often achieving Architectural Window quality grades even when a Commercial Rating would suffice. Unlike other manufacturers, our windows are tested and rated in fully assembled units to the AW PG70 standards.

### CERTIFICATIONS:

#### PERFORMANCE CLASS:

**AW-70**

Vi5 Fixed Windows exceed mid-rise standard requirements in the **AAMA/WDMA/CSA 101/1.S.2/A440** testing.

#### 3X WATER LEAKAGE PROTECTION:

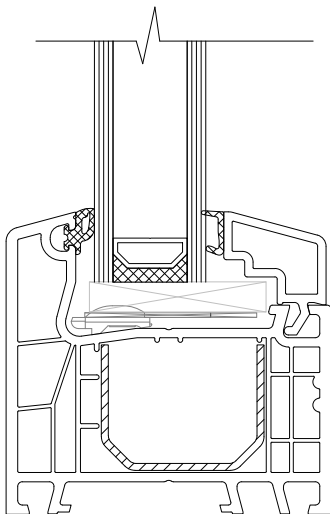
Vi5 Fixed Windows pass high-rise **ASTM test E331** and **ASTM E547** at 12.11psf of pressure, achieving three times the required CW penetration resistance.

#### 4X AIR INFILTRATION RESISTANCE:

Vi5 Fixed Windows pass **AAMA test E283** at 6.27psf, achieving four times the CW standard.

#### DESIGN PRESSURE:

Vi5 Fixed Windows are reinforced with with solid steel. Providing outstanding strength with **ASTM E330** design pressure at **±105.26 psf (5040 Pa)**.



# Energy

More than windows, our products optimize their environment and are one with the universe. Achieving ratings of the lowest **U-Factor** (heat transfer rate), lowest **SHGC** (solar heat gain coefficient), best **OITC** (outdoor-indoor transmission class—sound reduction rating) / **STC** (Sound Transmission Class rating).

## ENERGY AND SOUND EFFICIENCY

Vi5 Series windows are designed to achieve low U-factor and SHGC ratings, as well as a high OITC/STC rating with annealed glass.

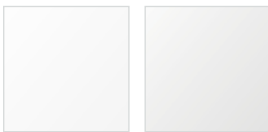
### ENERGY AND SOUND RATINGS:

U-Factor	SHGC	OITC	STC
0.15-0.38	0.17-0.37	24-30	31-38

## GLAZE OPTIONS (IGU)

Our Argon-filled glass allows you to see more, while simultaneously securing you from the weather, elements, noise, and glare. All options come in low-E glass, and are available annealed, laminated, or tempered glass, with various thickness options for increased thermal rating and sound reduction.

GrayT glass for better protection, privacy, and comfort. Tinting can also result in higher energy efficiency.

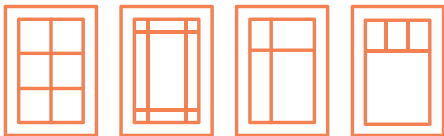


Crystal

GrayT

## GRILLS:

Our grills are unique in that they are available in 3 widths and are placed both inside and outside the glass, with spacers between panes for added strength. Matching uPVC Glazing Bars are available in classic styles or custom patterns.



# Simply Beautiful

Our certified products allow for customizations to match your architectural vision. Aesthetically thin corner welds complete every window.

## FOIL COLORS

Modern yet classic, our four color options can be spec'd separately for inside and outside, eliminating interior painting needs. Additionally, Continental™ Skai® foil laminates in Cool Color or Cool Color Plus provide longer-lasting exterior protection from extreme heat or cold.



Snow White

Silver Sea

Grey Moon

Black Star

## SAFETY

### FORCED ENTRY RESISTANCE



To keep you and your family safe and secure,

our windows pass the standard forced entry testing measure. **ASTM F588 - Type: B and D - Grade: 10.**